



Installing Field Replaceable Units

This chapter describes how to install the following field replaceable units (FRUs) in the Cisco SFS 7000P switch:

- [Power and Fan Modules, page 3-1](#)
- [Installing a Power Supply or Fan Unit, page 3-2](#)
- [Removing Power Supplies and Fan Units, page 3-5](#)

Power and Fan Modules

The Cisco SFS 7000P power supplies and fan units are hot-swappable. You can add a second module without powering off the switch. If you have two power or fan units installed, you can remove one of them without removing power from the switch.

Locating the Power Supply or Fan Unit

Each power supply and fan unit is a single module. Both power or fan units are located on the front of the switch. When facing the front of the switch, the power modules are located in the left and right slots of the Cisco SFS 7000P switch.

Failed Power Supplies or Fan Units

The status of power supplies and fan units can be checked using the CLI, the Chassis Manager, or the Element Manager. The available information includes the status, the vital product data (VPD), the description of the error or an error code.

If you suspect that a power supply module has failed, check the LEDs (see the [“Power Supply and Fan LEDs” section on page 4-3](#)) and view the status through the Element Manager.

In most cases, vital information can be retrieved from the console port of management Ethernet port. See the [“Vital Product Data Storage” section on page 1-5](#).

Refer to the *Cisco SFS 7000 Series Product Family Chassis Manager User Guide* or *Cisco SFS 7000 Series Product Family Element Manager User Guide* for more information.

Installing a Power Supply or Fan Unit

**Caution**

Never place your hand inside an empty module bay or anywhere inside the Cisco SFS 7000P switch.

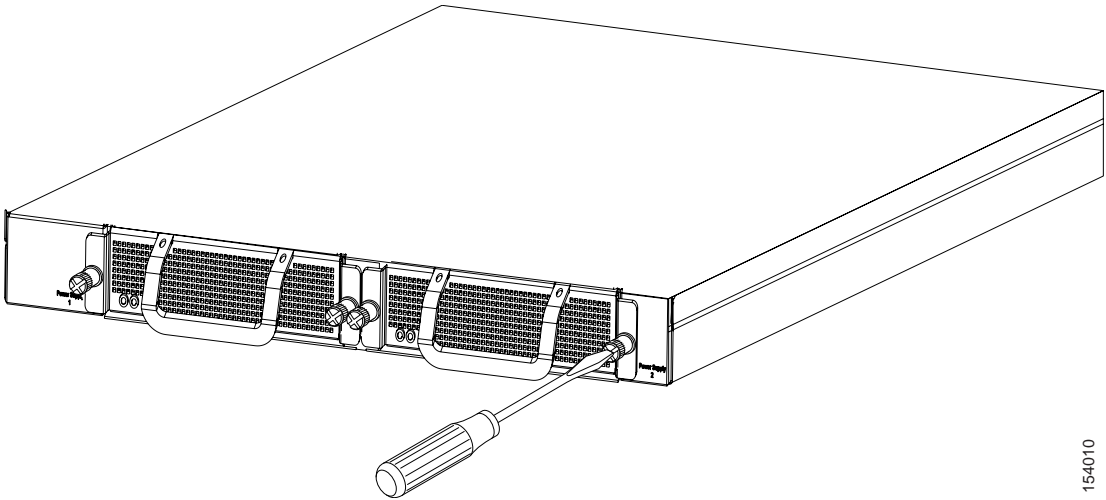
**Caution**

Unused module bays should always have a Cisco SFS 7000P filler panel over the bay to ensure proper safety, ventilation, and cooling.

To insert a power supply or fan unit, follow these steps:

-
- Step 1** Ground yourself appropriately.
 - Step 2** Remove the filler panel from the power supply bay with a number 1 Phillips screwdriver, if it is still in place (see [Figure 3-1](#)).

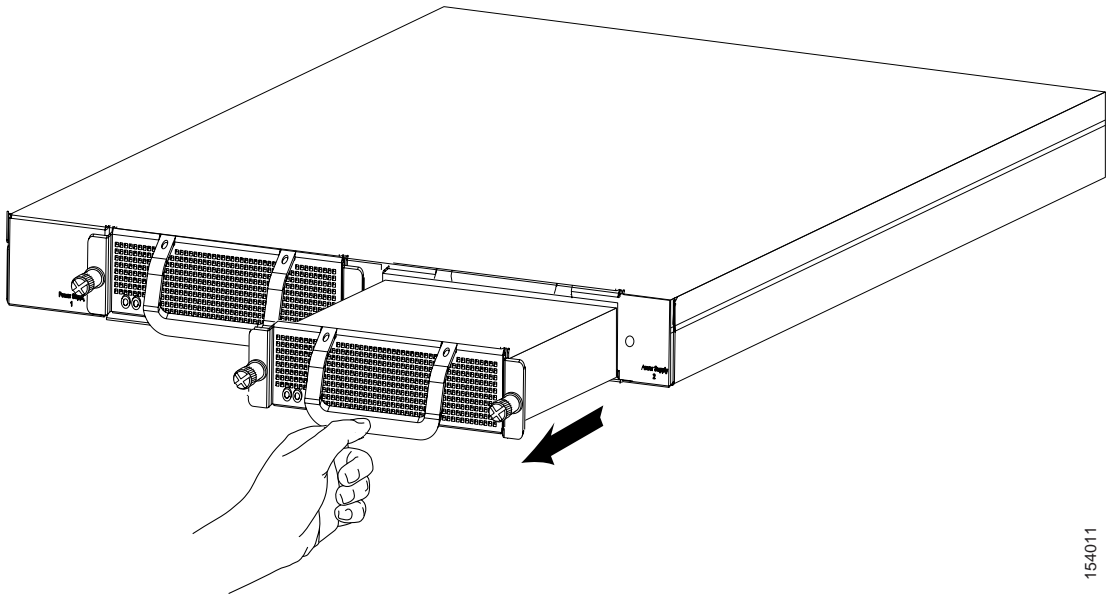
Figure 3-1 Removing the Screws from the Power Supply



154010

- Step 3** Remove the power supply or fan unit if one is in place (or “present”) by pulling on the black handle.

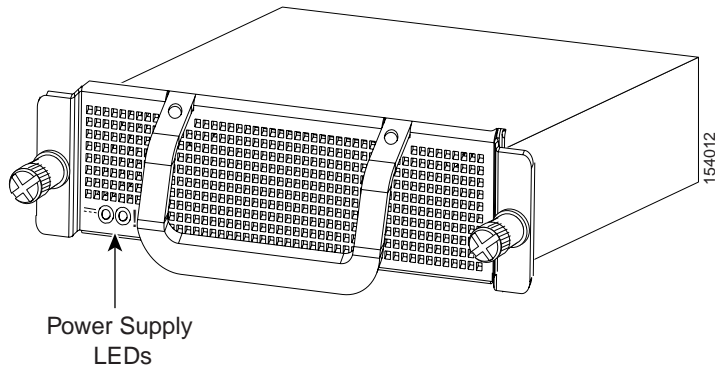
Figure 3-2 Removing the Power Supply from the Switch



154011

- Step 4** Insert the new power supply or fan unit into the open slot until it is fully seated. You may need to push the unit with your thumbs to get it completely into the bay.
 - Step 5** Secure fasteners with a number 1 Phillips screwdriver.
 - Step 6** Check the LEDs to verify the status of the module.
- For more information, see the [“Power Supply and Fan LEDs”](#) section on page 4-3.

Figure 3-3 Power Supply LEDs



Removing Power Supplies and Fan Units



Caution

Do not remove the power supply or fan unit without first removing the screws. Use a Phillips screw driver.

Step 1 Make sure you have a number 1 Phillips screwdriver to disengage the fasteners.

Step 2 Ground yourself appropriately.



Caution

Never place your hand inside an empty card or module bay or anywhere inside the Cisco SFS 7000P switch.

Step 3 Locate the power or fan unit that you want to remove.

If you have two power or fan units installed, you can remove one of them without removing power from the switch.

Step 4 Unscrew the fasteners that hold the power supply or fan unit in place.

Step 5 Pull the unit from the bay.

Step 6 Install the filler panel in place of the power or fan unit.

or

Install a new power supply or fan unit. If you are installing a new power supply or fan unit, see the [“Installing a Power Supply or Fan Unit”](#) section on page 3-2.



Caution

Never operate the device without a filler panel or unit in place because the device might overheat.

■ Removing Power Supplies and Fan Units